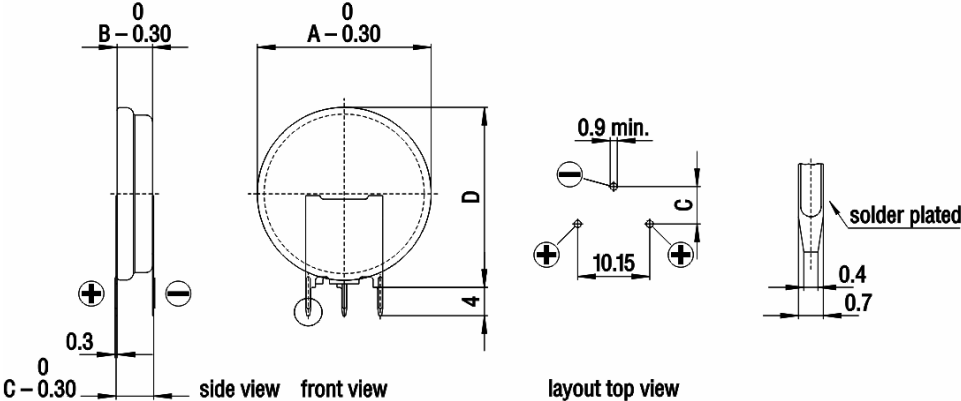


# Tabbed 3V Lithium Batteries

## P.C. Board Mounting - Three Pins Vertical



RENATA Part name	RENATA Part number	Nominal capacity (mAh)	Weight (g)	Maximum dimensions (mm)			
				A	B	C	D
CR2025RV MFR	701598	165	2.8	20.00	2.5	2.8	21.0
CR2025RV-LF	701076	170	2.6	20.0	2.5	2.8	21.0
CR2032RV MFR	701607	225	3.1	20.00	3.2	3.5	21.0
CR2032RV-LF	701083	235	3.1	20.0	3.2	3.5	21.0
CR2325RV-LF	701088	190	3.3	23.0	2.5	2.8	24.0
CR2430RV-LF	701094	285	4.4	24.5	3.0	3.3	25.5
CR2450NRV-LF	701099	540	6.2	24.5	5.0	5.3	25.5
CR2477NRV-LF	701104	950	8.5	24.5	7.7	8.0	25.5