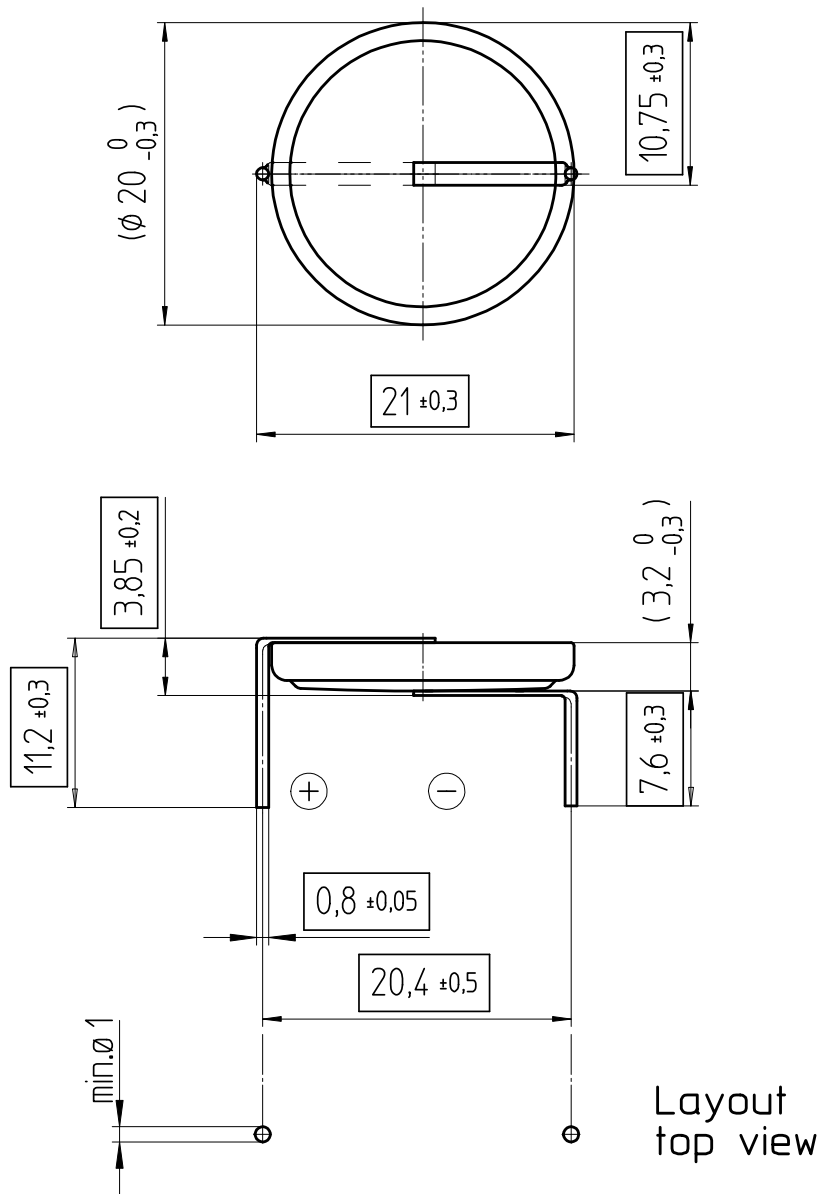


Art.-Number: 701723



Tab material: Isotan (54%Cu,44%Ni,Mn)

All framed values will be used for dimension checking !

- Samples can deviate in the execution from the serie.

- Dimensions and tolerances can be specified only after the testing of the devices for the mass production definitely

Rev.	○			Rev.	○				Customer's Approval		
Rev.	○			Rev.	○				Date		
Rev.	○			Rev.	○				Signature		
Titel:								Scale	Drawn	24.11.06	SRi
CR2032AH1 MFR								2:1	Checked	30.11.06	BBö
								Approved			
				CH-4452 Itingen Switzerland				3.9167.4-			