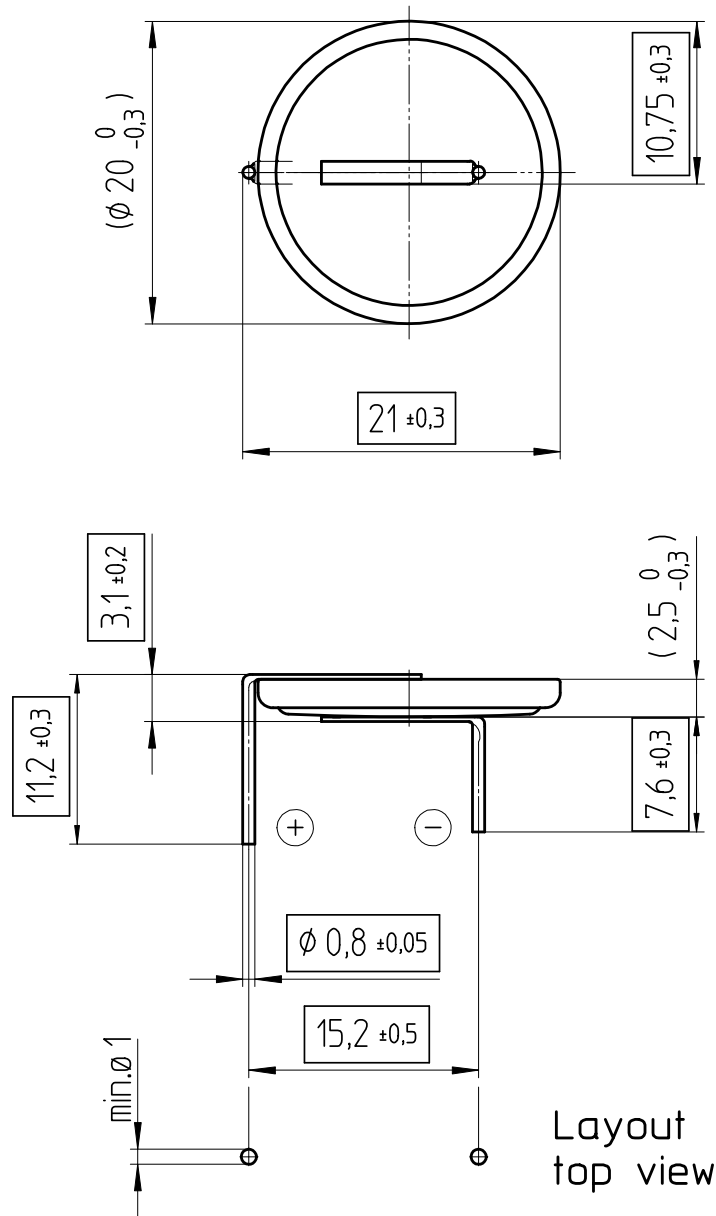


Art.-Number: 701720



Tab material: Isotan (54%Cu,44%Ni,Mn)

All framed values will be used for dimension checking !

- Samples can deviate in the execution from the serie.

- Dimensions and tolerances can be specified only after the testing of the devices for the mass production definitely

Rev.	<input type="radio"/>			Rev.	<input type="radio"/>			Customer's Approval		
Rev.	<input type="radio"/>			Rev.	<input type="radio"/>			Date		
Rev.	<input type="radio"/>			Rev.	<input type="radio"/>			Signature		
Titel:							Scale 2:1	Drawn	24.11.06	SRi
CR2025AH MFR								Checked	30.11.06	BBö
								Approved		
							CH-4452 Itingen Switzerland		3.9164.4-	