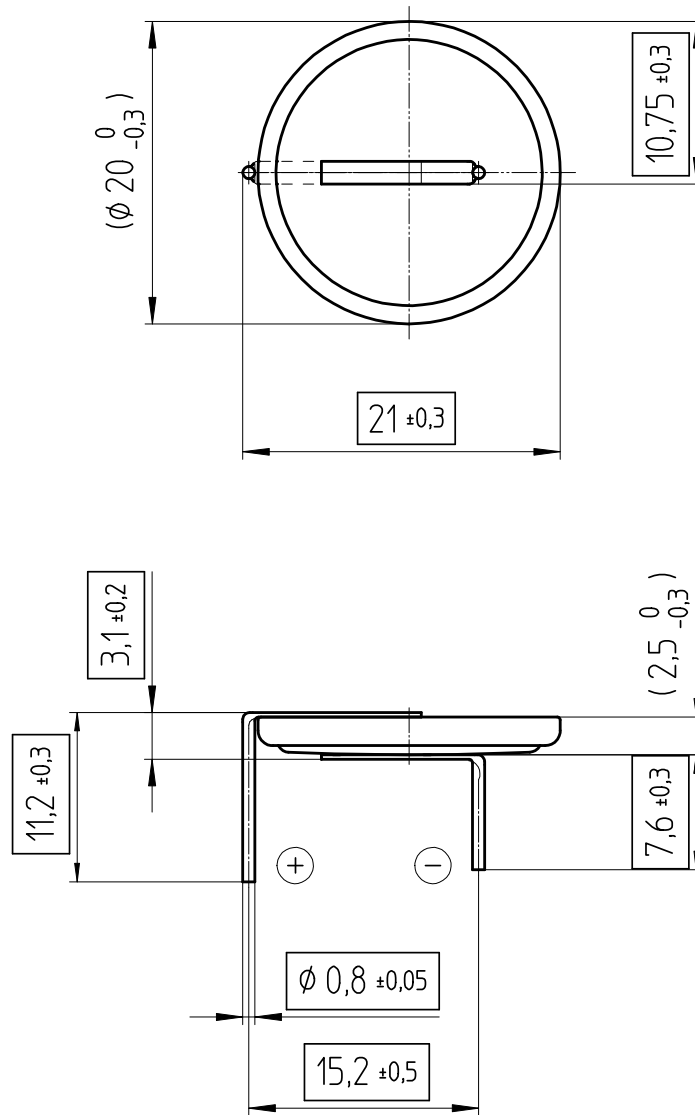


Art.-Number: 700310



Tab material: Isotan (54%Cu,44%Ni,Mn)

All framed values will be used for dimension checking !

- Samples can deviate in the execution from the serie.

- Dimensions and tolerances can be specified only after the testing of the devices for the mass production definitely

Rev.	①	12.04.05	SRi	Rev.	○				Customer's Approval		
Rev.	○			Rev.	○				Date		
Rev.	○			Rev.	○				Signature		
Titel:								Scale	Drawn	16.09.03	SRi
CR2025AH								2:1	Checked	12.04.05	EWe
								Approved			
				CH-4452 Itingen Switzerland				3.8616.4-1			