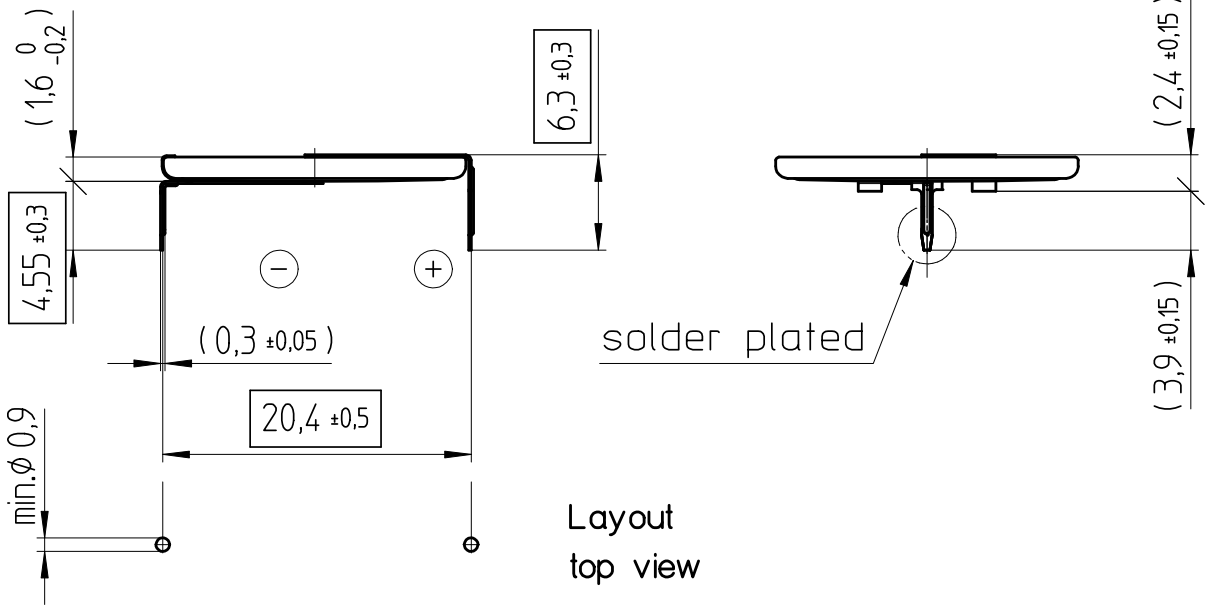
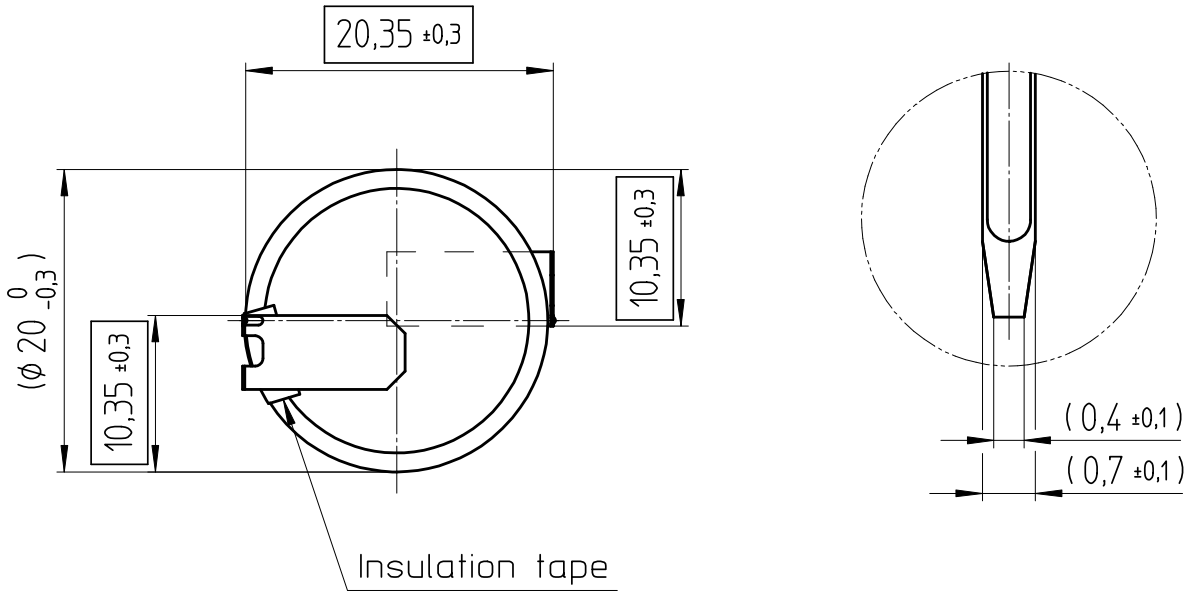


Art.-Number: 701593



Tab material: Stainless steel

All framed values will be used for dimension checking !

- Samples can deviate in the execution from the serie.

- Dimensions and tolerances can be specified only after the testing of the devices for the mass production definitely

Rev.	<input type="radio"/>			Rev.	<input type="radio"/>			Customer's Approval			
Rev.	<input type="radio"/>			Rev.	<input type="radio"/>			Date			
Rev.	<input type="radio"/>			Rev.	<input type="radio"/>			Signature			
Titel:							Scale	Drawn	16.08.06	SRi	
CR2016FH1-MFR							2:1	Checked	16.08.06	FKo	
								Approved			
				CH-4452 Itingen Switzerland				3.9107.4-			