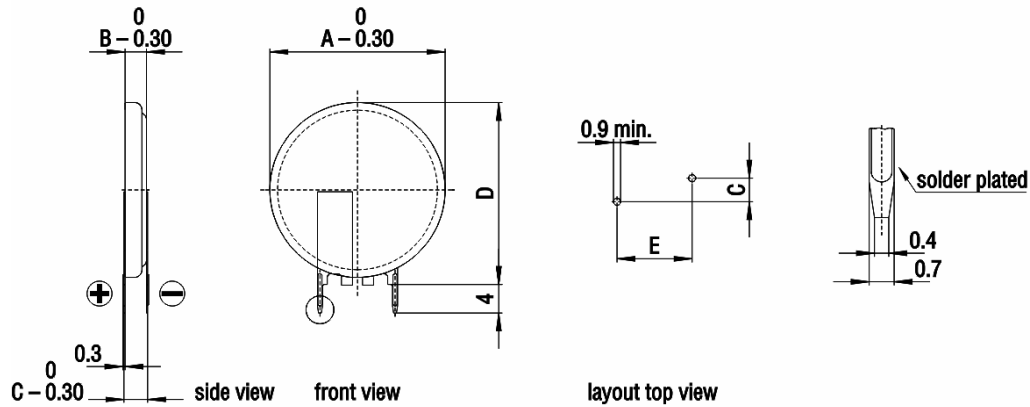


# Tabbed 3V Lithium Batteries for P.C. Board Mounting - Two Pins Vertical



RENATA Part name	RENATA Part number	Nominal capacity (mAh)	Weight (g)	Maximum dimensions (mm)				
				A	B	C	D	E
CR1025FV-LF	701060	30	0.8	10.00	2.50	2.80	11.00	5.08
CR1025FV1-LF	701061	30	0.8	10.00	2.50	2.80	11.00	5.08
CR1216FV-LF	701370	25	0.9	12.50	1.60	1.90	13.60	5.08
CR1220FV-LF	701064	38	1.0	12.50	2.00	2.30	13.50	5.08
CR1225FV-LF	701066	48	1.1	12.50	2.50	2.80	13.50	5.08
CR1616FV-LF	701381	50	1.3	16.00	1.60	1.90	17.00	5.08
CR1620FV-LF	701068	68	1.4	16.00	2.00	2.30	17.00	5.08
CR1632FV-LF	701071	125	2.0	16.00	3.20	3.50	17.00	5.08
CR2016FV MFR	701426	90	2.0	20.00	1.60	1.60	21.10	10.50
CR2016FV-LF	701725	80	2.0	20.00	1.60	1.60	21.10	10.50
CR2032FV MFR	701606	225	3.0	20.00	3.20	3.50	21.00	10.50
CR2032FV-LF	701079	235	3.0	20.00	3.20	3.50	21.00	10.50
CR2320FV-LF	701084	150	2.9	23.00	2.00	2.30	24.00	10.50
CR2325FV-LF	701086	190	3.2	23.00	2.50	2.80	24.00	10.50
CR2430FV-LF	701091	285	4.3	24.50	3.00	3.30	25.50	10.50
CR2450NFV-LF	701096	540	6.1	24.50	5.00	5.80	25.50	10.50
CR2477NFV-LF	701101	950	8.4	24.50	7.70	8.00	25.50	10.50